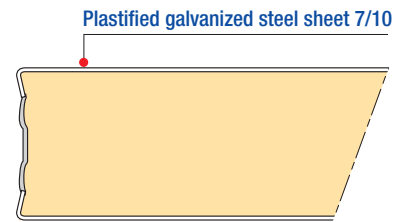


INSULATED FLOOR FOR COMMERCIAL COLD ROOMS

WALK-IN FLOOR PED

Plastified galvanized steel finish thickness 0,7 mm antislip.
Insulation with injected polyurethane $D=40 \text{ kg/m}^3$

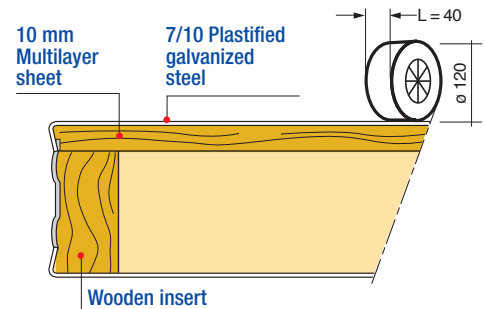
- STATIC LOAD 1500 kg/m^2
- PRECISE LOAD 100 kg



STANDARD ROLL-IN FLOOR P250

Plastified galvanized steel finish thickness 0,7 mm antislip R9 (ISO 10545) with antibacterial treatment.
Glued on a 10mm multilayer sheet, with wooden insert.
Insulation with injected polyurethane $D=40 \text{ kg/m}^3$

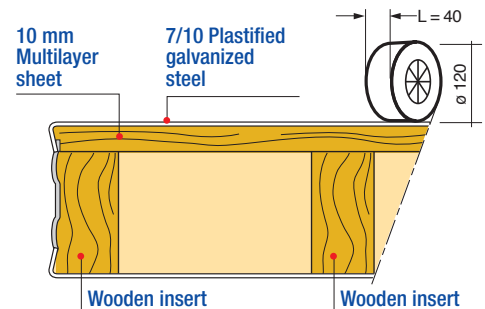
- STATIC LOAD 4000 kg/m^2
- DYNAMIC LOAD 250 kg
- PRECISE LOAD 140 kg



ROLL-IN FLOOR P400

Plastified galvanized steel finish thickness 0,7 mm antislip R9 (ISO 10545) with antibacterial treatment.
Glued on a 10mm multilayer sheet, with wooden insert.
Insulation with injected polyurethane $D=40 \text{ kg/m}^3$

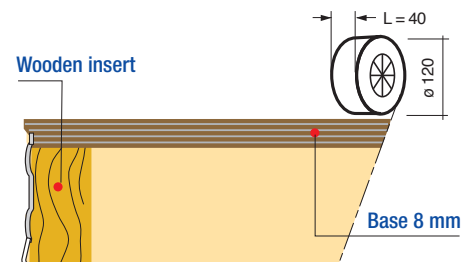
- STATIC LOAD 4000 kg/m^2
- DYNAMIC LOAD 400 kg
- PRECISE LOAD 140 kg



ROLL-IN STRATIFIED P1000 ST FLOOR

Mandarin finish 8 mm thickness, antislip class R10 (ISO 10545).
Insulation with injected polyurethane $D=40 \text{ kg/m}^3$

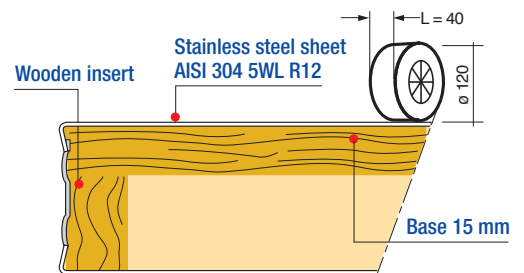
- STATIC LOAD 4000 kg/m^2
- DYNAMIC LOAD 1000 kg
- PRECISE LOAD 600 kg



ROLL-IN REINFORCED P1000 IX FLOOR

Stainless steel AISI 304 rigid finish, the thickness 1mm antislip class R12 (ISO 10545) glued on a 15 mm multilayer sheet.
Insulation with injected polyurethane $D=40 \text{ kg/m}^3$

- STATIC LOAD 5000 kg/m^2
- DYNAMIC LOAD 1100 kg
- PRECISE LOAD 250 kg



N.B. PED and P250 floor can be furnished with inox AISI 304 finish

- **Static load:** For floors having underfloor spacers with 400 mm distance the load is reduced of 60%.
Spacers with 200 mm distance the reduction is of 40%. The static load of walk-in floors remains unchanged.
- **Dynamic load:** On a non metallic 4 wheel trolley 120x40 (see drawing)
- **Precise load:** On a limited surface of 10 cm^2 (for example the foot of shelving)