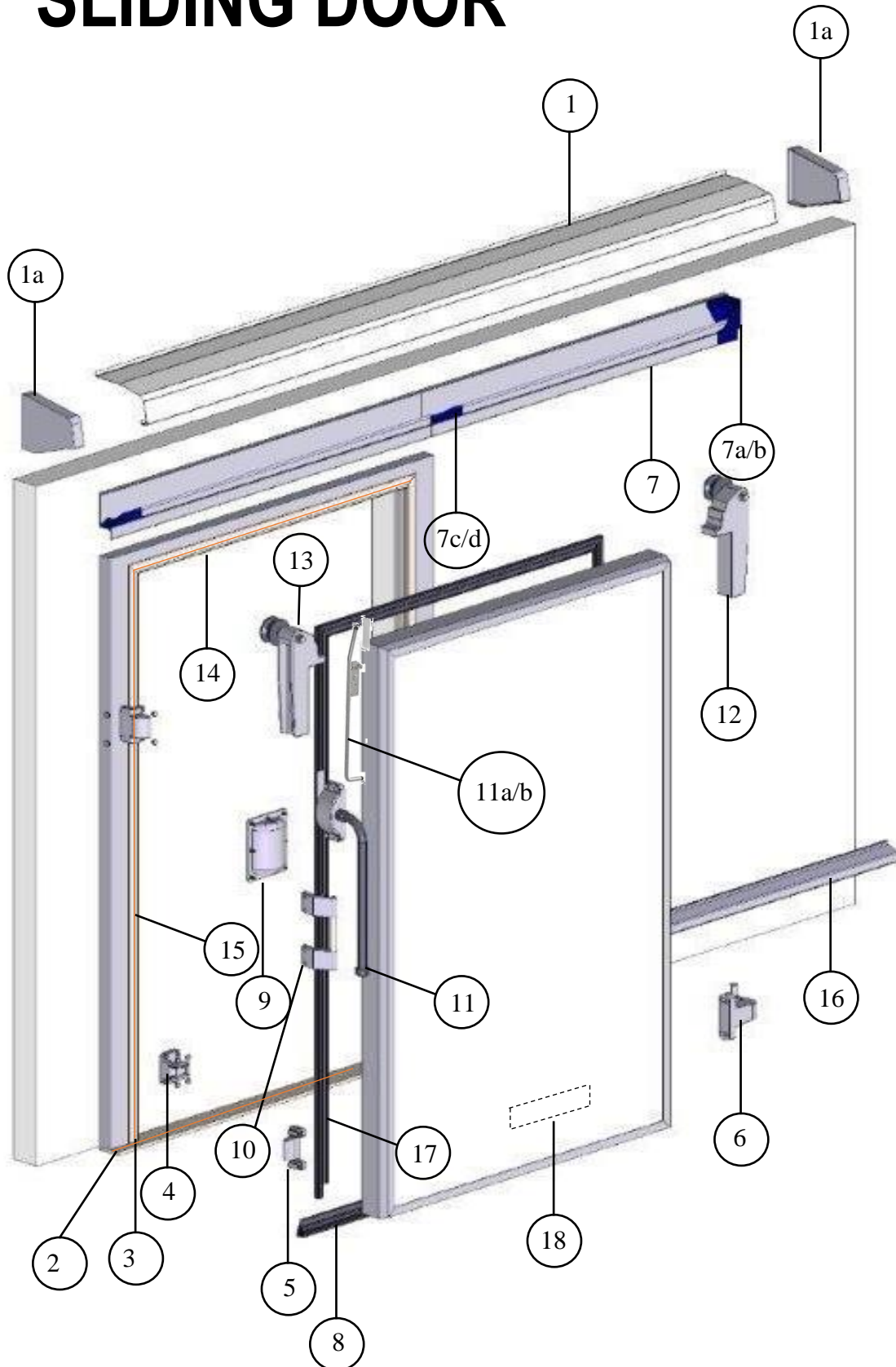


SLIDING DOOR



POSIZIONE	CODICE	DESCRIZIONE
1	TAB A	
1a	MS010247	SET RAIL COVER PROTECTION
2	TAB X	
3	TAB Y	
4	MS012753	HOOK STOP RAL 7004
5	MS012754	CLOSURE HOOK RAL 7004
6	MS012802	BACK FITTING . RH/LH RAL 7004
6a	MS010248	PIN FOR BACK FITTING 24RCR003
7	TAB B	
7a	MS010249	RAIL STOP RH 24ACT004
7b	MS010250	RAIL STOP LH 24ACT005
7c	MS010251	RAIL GUIDE RH 24ACC003
7d	MS010252	RAIL GUIDE LH 24ACC004
8	MS010864	BOTTOM GASKET MTH L=2550
9	MS019507	COMPLETE INT FIXED HANDLE
10	MS019508	COMPLETE EXT FIXED HANDLE
11	TAB C	
11a	MS019505	COMPLETE INT HANDLE RH
11b	MS019506	COMPLETE INT HANDLE LH
12	MS019540	SUPPORT MISA/RH ASS. RAL 7004
13	MS019539	SUPPORT MISA/LH ASS. RAL 7004
14	TAB D	
15dx	TAB E	
15sx		
16	TAB F	
17	TAB G	

TAB A		
MS019776	RAIL PROTECTION ASSEMBLY PS/12	PS 12
MS019777	RAIL PROTECTION ASSEMBLY PS/16	PS 16
MS019778	RAIL PROTECTION ASSEMBLY PS/20	PS 20
MS019779	RAIL PROTECTION ASSEMBLY PS/24	PS 24

TAB B			
MS019766	RAIL ASSEMBLY PS/12	DX	PS 12
MS019770	RAIL ASSEMBLY PS/12	SX	PS 12
MS019767	RAIL ASSEMBLY PS/16	DX	PS 16
MS019771	RAIL ASSEMBLY PS/16	SX	PS 16
MS019768	RAIL ASSEMBLY PS/20	DX	PS 20
MS019772	RAIL ASSEMBLY PS/20	SX	PS 20
MS019769	RAIL ASSEMBLY PS/24	DX	PS 24
MS019773	RAIL ASSEMBLY PS/24	SX	PS 24

TAB C		
MS019509	COMPLETE EXT LEVER HANDLE S10	S10
MS019504	COMPLETE EXT LEVER HANDLE S13	S13
MS019519	COMPLETE EXT LEVER HANDLE S6	S6

TAB D		
MS026934A	AL. FRAME COVER IX 1261	PS 12
MS026935A	AL. FRAME COVER IX 1661	PS 16
MS026936A	AL. FRAME COVER IX 2061	PS 20
MS026937A	AL. FRAME COVER IX 2461	PS 24

TAB E		
MS026585A	AL. FRAME COVER IX 2243 DX	PS /220
MS026586A	AL. FRAME COVER IX 2243 SX	PS /220
MS026938A	AL. FRAME COVER IX 2043 DX	PS /200
MS026939A	AL. FRAME COVER IX 2043 SX	PS /200
MS026940A	AL. FRAME COVER IX 2443 DX	PS /240
MS026941A	AL. FRAME COVER IX 2443 SX	PS /240
MS026942A	AL. FRAME COVER IX 2843 DX	PS /280
MS026943A	AL. FRAME COVER IX 2843 SX	PS /280
MS026944A	AL. FRAME COVER IX 3243 DX	PS /320
MS026945A	AL. FRAME COVER IX 3243 SX	PS /320

TAB F		
MS019832	SET GUIDE PS12DX L1340 RAL7004	PS 12
MS019833	SET GUIDE PS12SX L1340 RAL7004	PS 12
MS019834	SET GUIDE PS16DX L1740 RAL7004	PS 16
MS019835	SET GUIDE PS16SX L1740 RAL7004	PS 16
MS019836	SET GUIDE PS20DX L2140 RAL7004	PS 20
MS019837	SET GUIDE PS20SX L2140 RAL7004	PS 20
MS019838	SET GUIDE PS24DX L2540 RAL7004	PS 24
MS019839	SET GUIDE PS24SX L2540 RAL7004	PS 24

TAB G		
MS010861	LAT. GASKET MTH	ROLL 15MT
7,5m		PS 16/280
8,5m		PS 20/320
5,5m		PS 12/220
6,5m		PS 16/220
8m		PS 20/280
9m		PS 24/320
5,5m		PS 12/200
6,5m		PS 12/240
7m		PS 16/240
7m		PS 20/240

VERTICAL SHEET METAL JUNCTION		
MS028151	VERTICAL JUNCTION 200 S 6	PS /200 S 6
MS028152	VERTICAL JUNCTION 200 S 8	PS /200 S 8
MS028159	VERTICAL JUNCTION 200 S 9	PS /200 S 9
MS028153	VERTICAL JUNCTION 200 S10	PS /200 S10
MS028154	VERTICAL JUNCTION 200 S12	PS /200 S12
MS028155	VERTICAL JUNCTION 200 S13	PS /200 S13
MS028156	VERTICAL JUNCTION 200 S15	PS /200 S15
MS028157	VERTICAL JUNCTION 200 S18	PS /200 S18
MS028158	VERTICAL JUNCTION 200 S20	PS /200 S20
MS028241	VERTICAL JUNCTION 220 S 6 NT	PS /220 S 6
MS028242	VERTICAL JUNCTION 220 S 8 NT	PS /220 S 8
MS028243	VERTICAL JUNCTION 220 S10 NT	PS /220 S10
MS028244	VERTICAL JUNCTION 220 S12 NT	PS /220 S12
MS028245	VERTICAL JUNCTION 220 S13 NT	PS /220 S13
MS028246	VERTICAL JUNCTION 220 S15 NT	PS /220 S15
MS028247	VERTICAL JUNCTION 220 S18 NT	PS /220 S18
MS028248	VERTICAL JUNCTION 220 S20 NT	PS /220 S20
MS028161	VERTICAL JUNCTION 240 S 6	PS /240 S 6
MS028162	VERTICAL JUNCTION 240 S 8	PS /240 S 8
MS028163	VERTICAL JUNCTION 240 S10	PS /240 S10
MS028164	VERTICAL JUNCTION 240 S12	PS /240 S12
MS028165	VERTICAL JUNCTION 240 S13	PS /240 S13
MS028166	VERTICAL JUNCTION 240 S15	PS /240 S15
MS028167	VERTICAL JUNCTION 240 S18	PS /240 S18
MS028168	VERTICAL JUNCTION 240 S20	PS /240 S20
MS028171	VERTICAL JUNCTION 280 S 6	PS /280 S 6
MS028172	VERTICAL JUNCTION 280 S 8	PS /280 S 8
MS028173	VERTICAL JUNCTION 280 S10	PS /280 S10
MS028174	VERTICAL JUNCTION 280 S12	PS /280 S12
MS028175	VERTICAL JUNCTION 280 S13	PS /280 S13
MS028176	VERTICAL JUNCTION 280 S15	PS /280 S15
MS028177	VERTICAL JUNCTION 280 S18	PS /280 S18
MS028178	VERTICAL JUNCTION 280 S20	PS /280 S20
MS028181	VERTICAL JUNCTION 320 S 6	PS /320 S 6
MS028182	VERTICAL JUNCTION 320 S 8	PS /320 S 8
MS028183	VERTICAL JUNCTION 320 S10	PS /320 S10
MS028184	VERTICAL JUNCTION 320 S12	PS /320 S12
MS028185	VERTICAL JUNCTION 320 S13	PS /320 S13
MS028186	VERTICAL JUNCTION 320 S15	PS /320 S15
MS028187	VERTICAL JUNCTION 320 S18	PS /320 S18
MS028188	VERTICAL JUNCTION 320 S20	PS /320 S20

HORIZONTAL SHEET METAL JUNCTION		
MS028111	HORIZONTAL JUNCTION 12 S 6	PS12 S 6
MS028112	HORIZONTAL JUNCTION 12 S 8	PS12 S 8
MS028109	HORIZONTAL JUNCTION 12 S 9	PS12 S 9
MS028113	HORIZONTAL JUNCTION 12 S10	PS12 S10
MS028114	HORIZONTAL JUNCTION 12 S12	PS12 S12
MS028115	HORIZONTAL JUNCTION 12 S13	PS12 S13
MS028116	HORIZONTAL JUNCTION 12 S15	PS12 S15
MS028117	HORIZONTAL JUNCTION 12 S18	PS12 S18
MS028118	HORIZONTAL JUNCTION 12 S20	PS12 S20
MS028121	HORIZONTAL JUNCTION 16 S 6	PS16 S 6
MS028122	HORIZONTAL JUNCTION 16 S 8	PS16 S 8
MS028123	HORIZONTAL JUNCTION 16 S10	PS16 S10
MS028124	HORIZONTAL JUNCTION 16 S12	PS16 S12
MS028125	HORIZONTAL JUNCTION 16 S13	PS16 S13
MS028126	HORIZONTAL JUNCTION 16 S15	PS16 S15
MS028127	HORIZONTAL JUNCTION 16 S18	PS16 S18
MS028128	HORIZONTAL JUNCTION 16 S20	PS16 S20
MS028131	HORIZONTAL JUNCTION 20 S 6	PS20 S 6
MS028132	HORIZONTAL JUNCTION 20 S 8	PS20 S 8
MS028133	HORIZONTAL JUNCTION 20 S10	PS20 S10
MS028134	HORIZONTAL JUNCTION 20 S12	PS20 S12
MS028135	HORIZONTAL JUNCTION 20 S13	PS20 S13
MS028136	HORIZONTAL JUNCTION 20 S15	PS20 S15
MS028137	HORIZONTAL JUNCTION 20 S18	PS20 S18
MS028138	HORIZONTAL JUNCTION 20 S20	PS20 S20
MS028141	HORIZONTAL JUNCTION 24 S 6	PS24 S 6
MS028142	HORIZONTAL JUNCTION 24 S 8	PS24 S 8
MS028143	HORIZONTAL JUNCTION 24 S10	PS24 S10
MS028144	HORIZONTAL JUNCTION 24 S12	PS24 S12
MS028145	HORIZONTAL JUNCTION 24 S13	PS24 S13
MS028146	HORIZONTAL JUNCTION 24 S15	PS24 S15
MS028147	HORIZONTAL JUNCTION 24 S18	PS24 S18
MS028148	HORIZONTAL JUNCTION 24 S20	PS24 S20

TAB X		
MS016545	ONE-SIDE RES. ANTIC. SPM L120	PS12
MS016546	ONE-SIDE RES. ANTIC. SPM L160	PS16
MS016547	ONE-SIDE RES. ANTIC. SPM L200	PS20
MS016548	ONE-SIDE RES. ANTIC. SPM L240	PS24

TAB Y		
MS016583	RES.ANTIC. LT L 9500	PS 12/200
MS016584	RES.ANTIC. LT L10340	PS 12/220-240
MS016585	RES.ANTIC. LT L10720	PS 16/240
MS016586	RES.ANTIC. LT L12560	PS 16/280
MS016587	RES.ANTIC. LT L12320	PS 20/240
MS016588	RES.ANTIC. LT L13160	PS 20/280
MS016589	RES.ANTIC. LT L14900	PS 20/320
MS016590	RES.ANTIC. LT L14700	PS 24/320

SLIDING DOORS WITH OVERHEAD RAIL – PS /G

HORIZ. SHEET METAL JUNCTION W/OVERHEAD RAIL		
MS028201	HORIZONTAL JUNCTION 12/G S 6 NT DX	PS 12/G S 6
MS028202	HORIZONTAL JUNCTION 12/G S 6 NT SX	PS 12/G S 6
MS028203	HORIZONTAL JUNCTION 12/G S 8 NT DX	PS 12/G S 8
MS028204	HORIZONTAL JUNCTION 12/G S 8 NT SX	PS 12/G S 8
MS028205	HORIZONTAL JUNCTION 12/G S10 NT DX	PS 12/G S10
MS028206	HORIZONTAL JUNCTION 12/G S10 NT SX	PS 12/G S10
MS028207	HORIZONTAL JUNCTION 12/G S12 NT DX	PS 12/G S12
MS028208	HORIZONTAL JUNCTION 12/G S12 NT SX	PS 12/G S12
MS028209	HORIZONTAL JUNCTION 12/G S13 NT DX	PS 12/G S13
MS028210	HORIZONTAL JUNCTION 12/G S13 NT SX	PS 12/G S13
MS028211	HORIZONTAL JUNCTION 12/G S15 NT DX	PS 12/G S15
MS028212	HORIZONTAL JUNCTION 12/G S15 NT SX	PS 12/G S15
MS028213	HORIZONTAL JUNCTION 12/G S18 NT DX	PS 12/G S18
MS028214	HORIZONTAL JUNCTION 12/G S18 NT SX	PS 12/G S18
MS028215	HORIZONTAL JUNCTION 12/G S20 NT DX	PS 12/G S20
MS028216	HORIZONTAL JUNCTION 12/G S20 NT SX	PS 12/G S20
MS028221	HORIZONTAL JUNCTION 16/G S 6 NT DX	PS 16/G S 6
MS028222	HORIZONTAL JUNCTION 16/G S 6 NT SX	PS 16/G S 6
MS028223	HORIZONTAL JUNCTION 16/G S 8 NT DX	PS 16/G S 8
MS028224	HORIZONTAL JUNCTION 16/G S 8 NT SX	PS 16/G S 8
MS028225	HORIZONTAL JUNCTION 16/G S10 NT DX	PS 16/G S10
MS028226	HORIZONTAL JUNCTION 16/G S10 NT SX	PS 16/G S10
MS028227	HORIZONTAL JUNCTION 16/G S12 NT DX	PS 16/G S12
MS028228	HORIZONTAL JUNCTION 16/G S12 NT SX	PS 16/G S12
MS028229	HORIZONTAL JUNCTION 16/G S13 NT DX	PS 16/G S13
MS028230	HORIZONTAL JUNCTION 16/G S13 NT SX	PS 16/G S13
MS028231	HORIZONTAL JUNCTION 16/G S15 NT DX	PS 16/G S15
MS028232	HORIZONTAL JUNCTION 16/G S15 NT SX	PS 16/G S15
MS028233	HORIZONTAL JUNCTION 16/G S18 NT DX	PS 16/G S18
MS028234	HORIZONTAL JUNCTION 16/G S18 NT SX	PS 16/G S18
MS028235	HORIZONTAL JUNCTION 16/G S20 NT DX	PS 16/G S20
MS028236	HORIZONTAL JUNCTION 16/G S20 NT SX	PS 16/G S20

HORIZONTAL OVERHEAD RAIL COVER		
MS028251	HORIZ OVERHEAD RAIL COVER S 6X353 NT	S6
MS028252	HORIZ OVERHEAD RAIL COVER S 8X353 NT	S8
MS028253	HORIZ OVERHEAD RAIL COVER S 10X353 NT	S10
MS028254	HORIZ OVERHEAD RAIL COVER S 12X353 NT	S12
MS028255	HORIZ OVERHEAD RAIL COVER S 13X353 NT	S13
MS028256	HORIZ OVERHEAD RAIL COVER S 15X353 NT	S15
MS028257	HORIZ OVERHEAD RAIL COVER S 18X353 NT	S18
MS028258	HORIZ OVERHEAD RAIL COVER S 20X353 NT	S20

LATERAL OVERHEAD RAIL COVER		
MS028261	LAT. OVERHEAD RAIL COVER. S 6X500 SX NT	S6
MS028262	LAT. OVERHEAD RAIL COVER. S 6X500 DX NT	S6
MS028263	LAT. OVERHEAD RAIL COVER. S 8X500 SX NT	S8
MS028264	LAT. OVERHEAD RAIL COVER. S 8X500 DX NT	S8
MS028266	LAT. OVERHEAD RAIL COVER. S10X500 DX NT	S10
MS028265	LAT. OVERHEAD RAIL COVER. S10X500 SX NT	S10
MS028267	LAT. OVERHEAD RAIL COVER. S12X500 DX NT	S12
MS028268	LAT. OVERHEAD RAIL COVER. S12X500 SX NT	S12
MS028270	LAT. OVERHEAD RAIL COVER. S13X500 DX NT	S13
MS028269	LAT. OVERHEAD RAIL COVER. S13X500 SX NT	S13
MS028271	LAT. OVERHEAD RAIL COVER. S15X500 SX NT	S15
MS028272	LAT. OVERHEAD RAIL COVER. S15X500 DX NT	S15
MS028273	LAT. OVERHEAD RAIL COVER. S18X500 SX NT	S18
MS028274	LAT. OVERHEAD RAIL COVER. S18X500 DX NT	S18
MS028275	LAT. OVERHEAD RAIL COVER. S20X500 SX NT	S20
MS028276	LAT. OVERHEAD RAIL COVER. S20X500 DX NT	S20

MS028217	NEOPRENE STRIPE 515X200	
----------	-------------------------	--

PVC SUPERIOR PROFILE INOX FRAME		
MS026980A	PVC SUP. PROF. IX FRAME 1262	PS 12
MS026981A	PVC SUP. PROF. IX FRAME 1662	PS 16
MS026982A	PVC SUP. PROF. IX FRAME 2062	PS 20
MS026983A	PVC SUP. PROF. IX FRAME 2462	PS 24

NB The vertical sheet metal junctions for doors with overhead rail are the same for doors without overhead rail